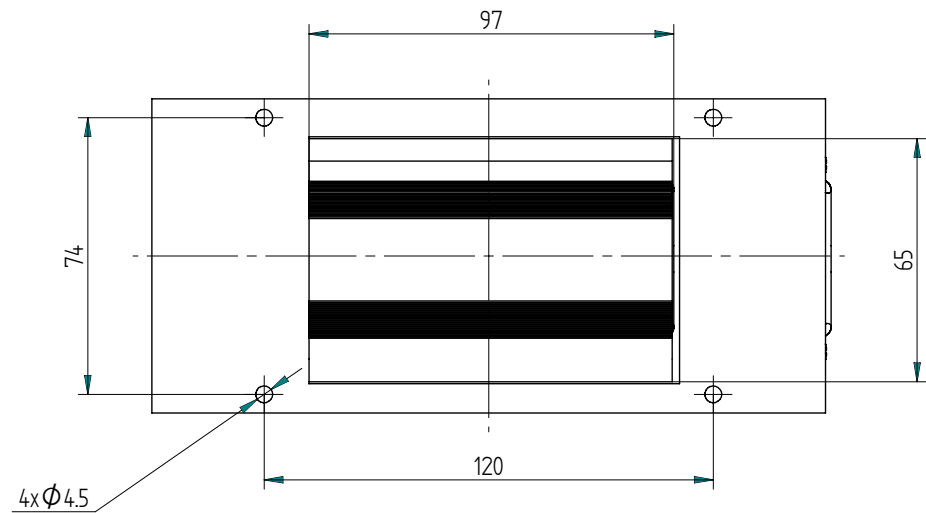
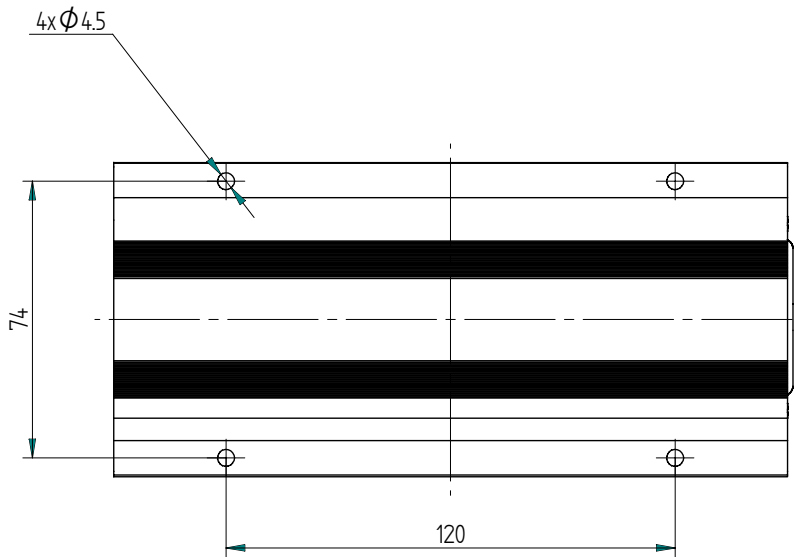
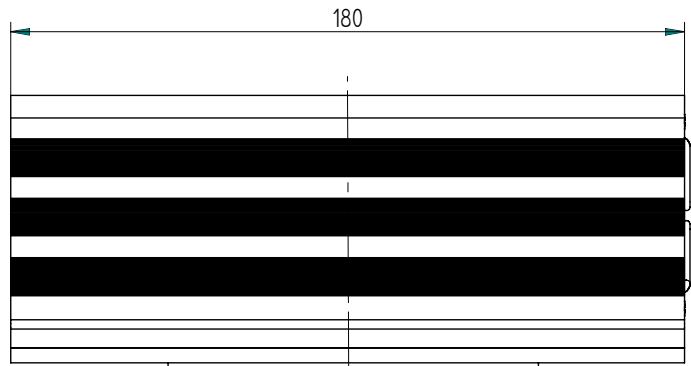


Mounting hole print: 99 x 67



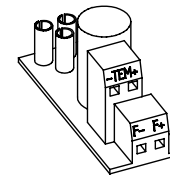
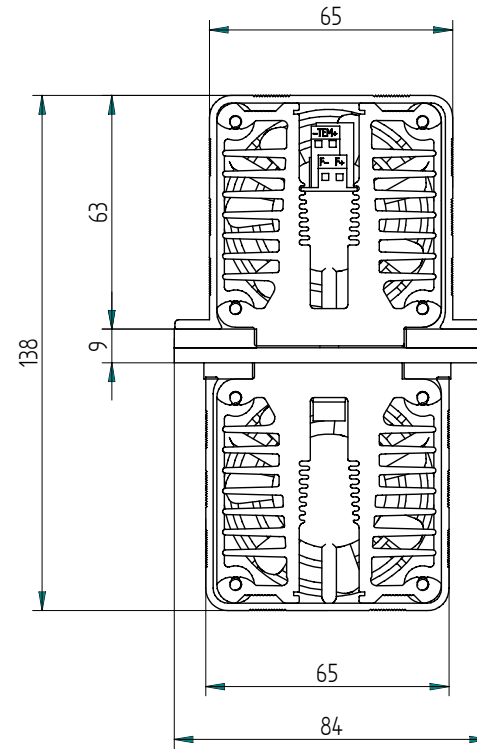
Comments / deviations: Heat sinks and, if applicable, D-plates and shrouds in anodised aluminium.			General tolerances: SS-ISO 2768-1 c-M		
Designed by: Anders Thorén	Approved by: Pavel Cech	Release date: 20060518	Customer: Supercool AB	Project: T60	
Supercool AB Box 27, S-40120 Göteborg, Sweden tfn: +46 31 420530, fax: +46 31 247909 e-mail: info@supercool.se Web: www.supercool.se		Title: TE ASSEMBLY 12 VDC AIR - AIR			
Part nr: AA-033-12-22-00-00	Rev. nr: 1	Status: 0	Scale: -	Size, sheet: A3, 1(4)	




Warm side air flow



Cold side air flow



Electrical connections:
 "TEM+": + TEM
 "TEM-": - TEM
 "F+": + Fan(s)
 "F-": - Fan(s)

Comments / deviations: Heat sinks and, if applicable, D-plates and shrouds in anodised aluminium.			General tolerances: SS-ISO 2768-1 c-M	
Designed by: Anders Thorén	Approved by: Pavel Cech	Release date: 20060518	Customer: Supercool AB	Project: T60
		Title: TE ASSEMBLY 12 VDC AIR - AIR		
Part nr: AA-033-12-22-00-00	Rev. nr: 1	Status: 0	Scale: -	Size, sheet A3, 2(4)